

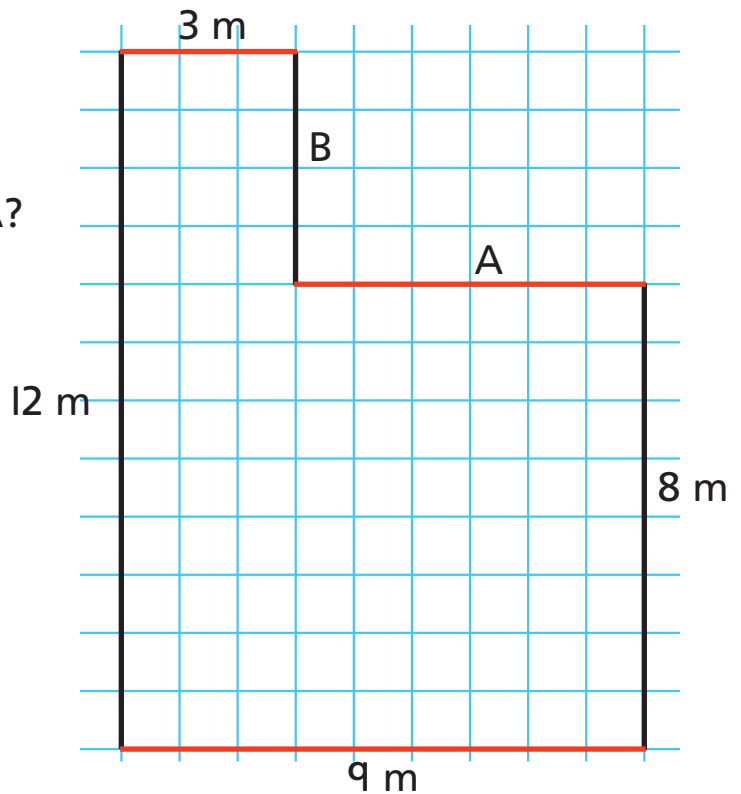
# Think together

- 1 a) What is the length of side A?

Side A + 3 is the same as 9.

$$\square - 3 = \square$$

Side A is  $\square$  m long.



- b) What is the length of side B?

$$\text{Side B} = \square - \square = \square$$

Side B is  $\square$  m long.

- c) What is the perimeter of the fence?

$$12 + 9 + 8 + \square + \square + 3 = \square$$

The perimeter is  $\square$  m.

I wonder if I could use my number facts to check I've added the lengths of the sides correctly.

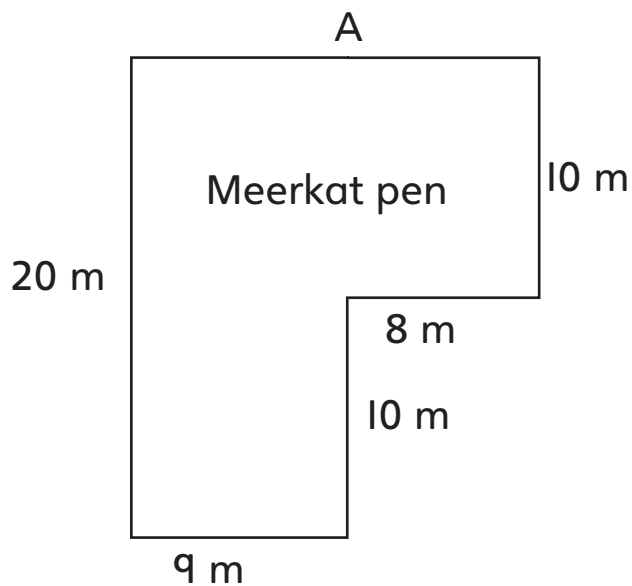


2 What is the perimeter of the meerkat pen?

$$\begin{aligned} \text{Side A} &= \square + \square \\ &= \square \text{ m} \end{aligned}$$

$$\begin{aligned} \text{Perimeter} &= \text{-----} \\ &= \square \end{aligned}$$

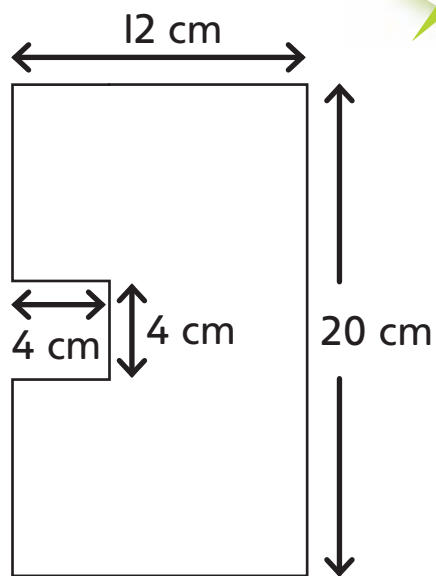
The perimeter of the pen is  $\square$  m.



3 What is the perimeter of this rectilinear shape?



I wonder whether I need to find every side on its own.



$$\text{Perimeter} = \text{-----} = \square$$

The perimeter is  $\square$  cm.