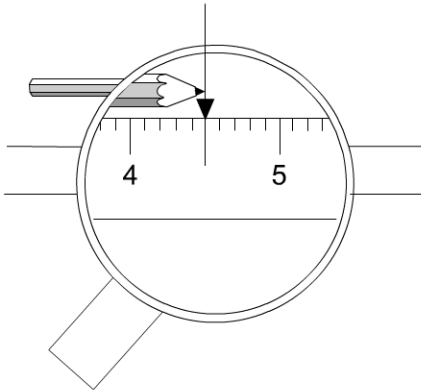




## Decimals

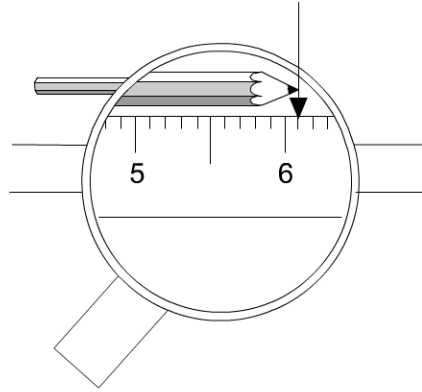
The length of different pencils are shown through magnifying glasses. What are their lengths?

Q1



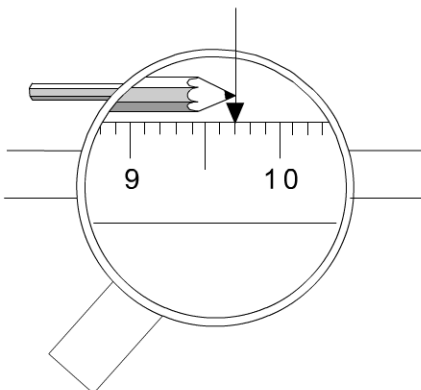
**4.5** cm

Q2



**6.1** cm

Q3



**9.7** cm

How many whole centimetres and millimetres are these decimal measurements?

Q4 2.1 cm = **2** cm **1** mm

Q5 5.4 cm = **5** cm **4** mm



## Decimals

---

How many whole centimetres and millimetres are these decimal measurements?

Q6 12.8 cm =  cm  mm

Write the following as decimal measurements.

Q7 1 cm 5 mm =  cm      Q8 7 cm 9 mm =  cm

Q9 12 cm 2 mm =  cm      Q10 25 mm =  cm