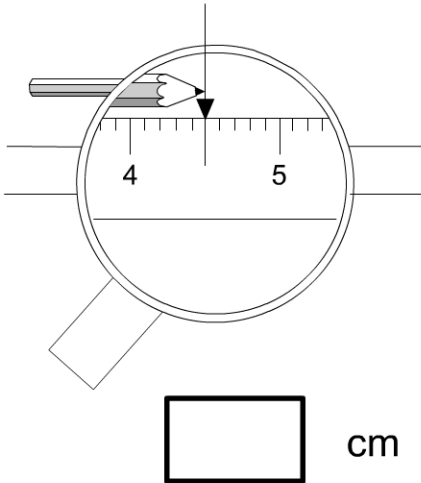




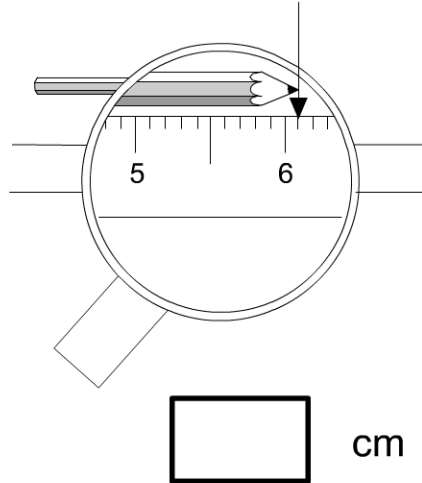
Decimals

The length of different pencils are shown through magnifying glasses. What are their lengths?

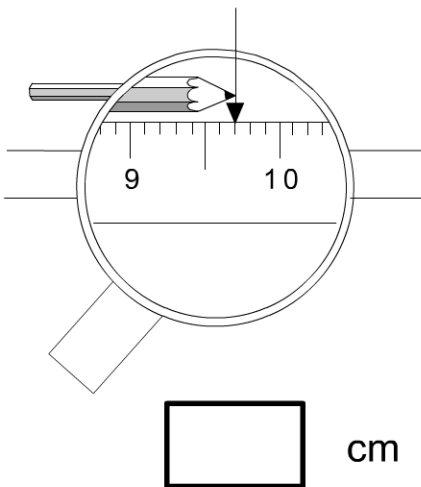
Q1



Q2



Q3



How many whole centimetres and millimetres are these decimal measurements?

Q4 2.1 cm = cm mm

Q5 5.4 cm = cm mm



Decimals

How many whole centimetres and millimetres are these decimal measurements?

Q6 12.8 cm = cm mm

Write the following as decimal measurements.

Q7 1 cm 5 mm = cm Q8 7 cm 9 mm = cm

Q9 12 cm 2 mm = cm Q10 25 mm = cm